



FRONT AXLE UPPER BALL JOINT EXTRACTOR/INSTALLER - VW T4

MODEL NO: **VSE725.V2**

Thank you for purchasing a Sealey product. Manufactured to a high standard, this product will, if used according to these instructions, and properly maintained, give you years of trouble free performance.

IMPORTANT: PLEASE READ THESE INSTRUCTIONS CAREFULLY. NOTE THE SAFE OPERATIONAL REQUIREMENTS, WARNINGS & CAUTIONS. USE THE PRODUCT CORRECTLY AND WITH CARE FOR THE PURPOSE FOR WHICH IT IS INTENDED. FAILURE TO DO SO MAY CAUSE DAMAGE AND/OR PERSONAL INJURY AND WILL INVALIDATE THE WARRANTY. KEEP THESE INSTRUCTIONS SAFE FOR FUTURE USE.



Refer to instruction manual



Wear eye protection

1. SAFETY

- WARNING!** Ensure Health and Safety, local authority and general workshop practice regulations are adhered to when using tools.
 - Maintain the tool components in good and clean condition for best and safest performance.
 - Ensure that a vehicle which has been jacked up is adequately supported with axle stands.
 - Wear approved eye protection. A full range of personal safety equipment is available from your Sealey stockist.
 - Wear suitable clothing to avoid snagging. **DO NOT** wear jewellery and tie back long hair.
 - Keep children and other unauthorised persons away from the working area.
 - Ensure there is adequate lighting prior to using the ball joint replacement tool.
 - DO NOT** use the kit if any parts are missing or damaged.
 - DO NOT** use the ball joint replacement tool for any purpose other than that for which it is designed.
- IMPORTANT:** These instructions are intended as a guide only. Always refer to the vehicle manufacturer's service instructions or a proprietary manual to establish the current procedure.

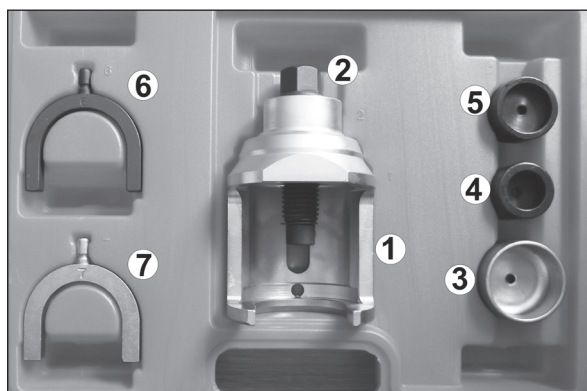
2. INTRODUCTION

Suitable for removing and installing the upper front ball joint in situ without the need to disassemble. Features various adaptors used in different combinations for extracting and installing. Supplied in a storage case with each part numbered for simple selection.

3. APPLICATIONS

Model No:.....**VSE725.V2**
Applications:..... VW: T4 2000cc, T4 2500cc

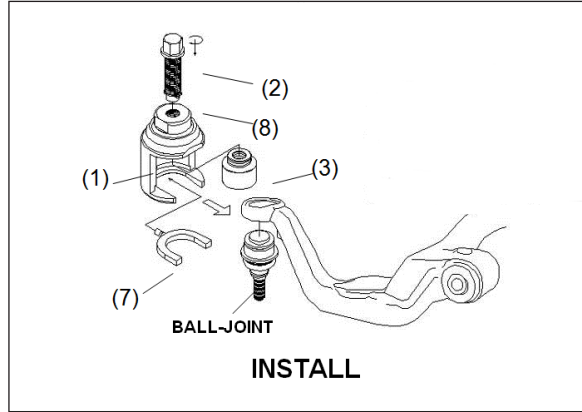
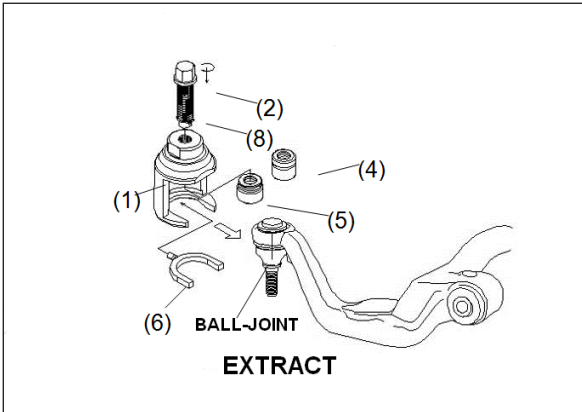
4. CONTENTS



NO	Part Number	Description	Quantity
1	VSE725.V2-01	Main body	1
2	VSE725.V2-02	Screw	1
3	VSE725.V2-03	Installing fixed base	1
4	VSE725.V2-04	Removing guide ring (35mm)	1
5	VSE725.V2-05	Removing guide ring (40mm)	1
6	VSE725.V2-06	C-shaped removing bracket (black)	1
7	VSE725.V2-07	C-Shaped Removing Bracket (7)	1
	VSE725.V2-07	Blow mould case	1

5. OPERATION

NOTE: Clean and lubricate the thrust screw threads and grease before use.



ENVIRONMENT PROTECTION

Recycle unwanted materials instead of disposing of them as waste. All tools, accessories and packaging should be sorted, taken to a recycling centre and disposed of in a manner which is compatible with the environment. When the product becomes completely unserviceable and requires disposal, drain any fluids (if applicable) into approved containers and dispose of the product and fluids according to local regulations.



REGISTER YOUR PURCHASE HERE

Note: It is our policy to continually improve products and as such we reserve the right to alter data, specifications and component parts without prior notice. Please note that other versions of this product are available. If you require documentation for alternative versions, please email or call our technical team on technical@sealey.co.uk or 01284 757505.

Important: No Liability is accepted for incorrect use of this product.

Warranty: Guarantee is 12 months from purchase date, proof of which is required for any claim.

Sealey Group, Kempson Way, Suffolk Business Park, Bury St Edmunds, Suffolk. IP32 7AR

01284 757500

sales@sealey.co.uk

www.sealey.co.uk